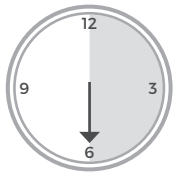


# Veri READY™



**30 MIN  
INSTALL**

## INSTRUCTIONS FOR INSTALLATION, OPERATION AND CLEANING



Congratulations on your **Veri Ready™** purchase! You can take pride and comfort in knowing that your new **Veri Ready™** will be easy to install and will enhance your home's beauty.

We thank you for this purchase and invite you to fill your future window covering needs with products from **Veri Shades®**.

Before beginning installation, please take a moment to review the following instructions and safety warnings. It is important that you take the suggested precautions to protect yourself and your children. The installation of this **Veri Ready™** will take approximately 30 minutes.

**For installation videos please visit:**  
[www.verishades.com](http://www.verishades.com) or scan the QR code on page 5.

### Installation Tip:

For best results, we recommend that two people install the **Veri Ready™** due to its large size.

### Tools Needed:

- Pencil
- Phillips Screwdriver
- Tape Measure

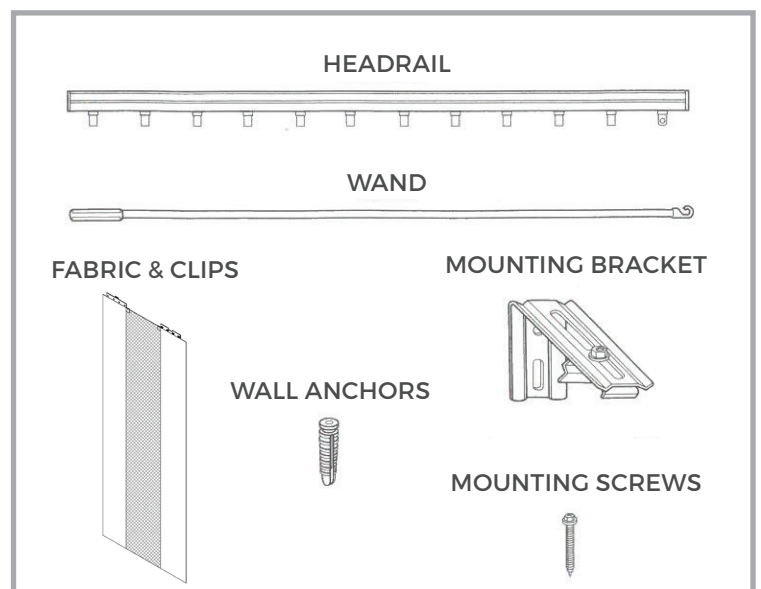
#### Optional:

- Drill with a 2mm Bit For Pre-drilling Screw Holes
- Drill with a 5mm Bit For Drilling Wall Anchors
- Level
- Scissors (maybe required if height needs adjusting)

### Parts List:

**Veri Ready™ Width (mm)**  
1200 1500 1800 2100 2400 3000

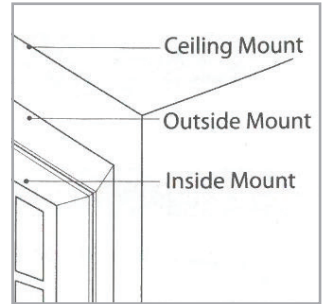
	1200	1500	1800	2100	2400	3000
Headrail	1	1	1	1	1	1
Fabric	11	13	16	19	22	28
Wand	1	1	1	1	1	1
Mounting Brackets	3	3	3	4	5	6
Mounting Screws	6	6	6	8	10	12
Wall Anchors	6	6	6	8	10	12



# INSTALLATION INSTRUCTIONS:

## 1 Determine Mounting Method

Identify the way you wish to mount your blind. **Outside** the window casing is most common for sliding doors and large windows, **inside** the window casing can be used when you have an opening with 100mm clearance in the window, or you can mount your blind to the **ceiling**.



## 2 Determine Bracket Placement

If you mount your brackets lower than the height of your blinds from the floor, you will need to trim the fabric when you get to Step 5. You can also adjust the width of the track if required. For details on how to do this, see page 7 - Vertical Headrail.

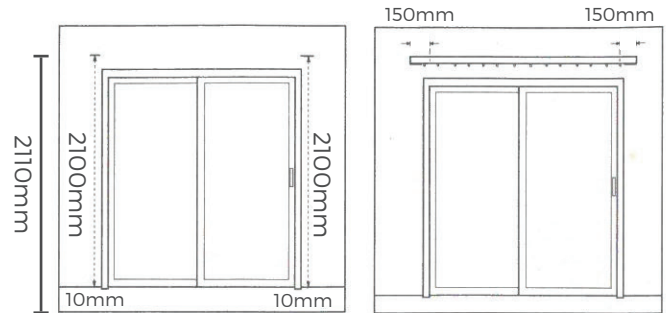
### OUTSIDE MOUNT:

Begin by measuring **10mm** from the floor at each end of the window and make a small light pencil mark on the wall that can be erased, then measure the height from this point.

Next, place a small light pencil mark on the front of the headrail **150mm** in from each end.

Hold the headrail up to the window at the height of the pencil marks on the wall.

Centre the headrail over the top of the window and use the pencil marks on the headrail to make two more pencil marks on the wall as shown.

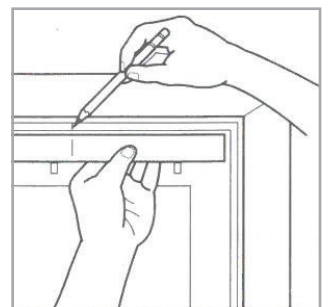


Depending on the size of blind that you purchased, you may have a 3rd or 4th bracket and possibly more brackets. These brackets should be evenly spaced between the two outer brackets and at the same height. You may want to use a level to ensure evenness.

### INSIDE MOUNT:

Place a small light pencil mark on the front of the headrail **150mm** in from each end. Hold the headrail up inside the window casing and place pencil marks on casing, directly in line with your headrail marks as shown.

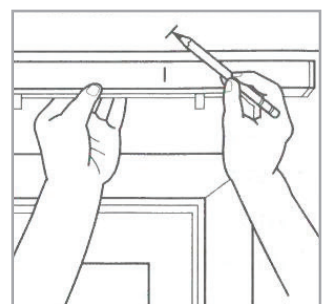
Depending on the size of blind that you purchased, you may have more brackets. These brackets should be evenly spaced between the two outer brackets.



### CEILING MOUNT:

Place a small light pencil mark on the front of the headrail **150mm** in from each end. Hold the headrail up to the ceiling above the window and place pencil marks on the ceiling, directly in line with your headrail marks as shown.

Depending on the size of blind that you purchased, you may have more brackets. These brackets should be evenly spaced between the two outer brackets.



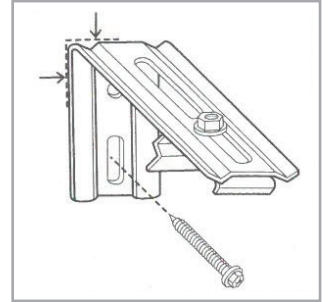
## INSTALLATION INSTRUCTIONS CONTINUED:

### 3 Mount Brackets

*Note: Pre-drilling holes makes installation easier. To pre-drill, hold bracket up to pencil mark and mark holes. Pre-drill holes with a 2mm drill bit. If wall anchors are necessary, pre-drill with 5mm drill bit. Insert anchors into pre-drilled holes.*

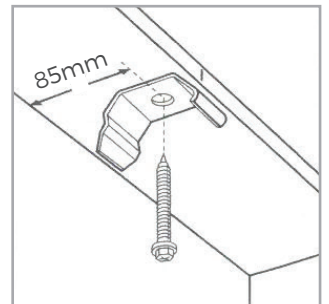
#### OUTSIDE MOUNT:

Place bracket at pencil mark or pre-drilled holes and screw into place with mounting screws into the centre of the lower hole.



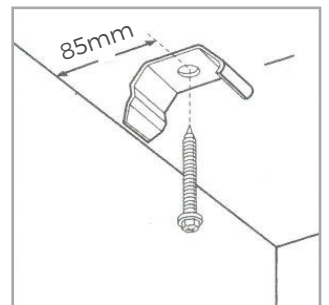
#### INSIDE MOUNT:

Remove metal clip from bracket.  
Only the metal clip will be used for the **inside mount** method.  
Align front of the metal clip with the pencil mark.  
The hole for the clip must be at least **85mm** away from the window or wall to allow for full fabric rotation.  
Fasten the metal clip to the window frame with the single screw.



#### CEILING MOUNT:

Remove metal clip from bracket.  
Only metal clip will be used for **ceiling mount** method.  
Align front of metal clip with the pencil mark.  
The hole for the clip must be at least **85mm** from the wall or window frame to allow for full fabric rotation.  
Fasten the metal clip to the ceiling with the single screw.

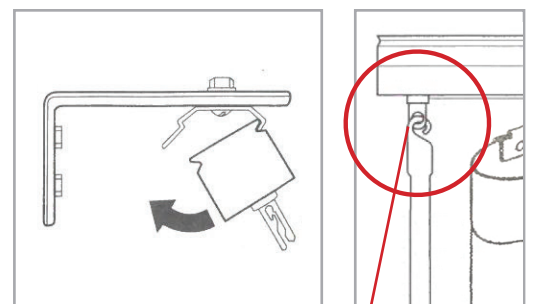


*Depending on the size of blind that you purchased, you may have more brackets, position these remaining brackets ensuring they are evenly spaced between the two outer brackets.*

### 4 Hang Headrail

The headrail is reversible depending on which side you would like to have the fabric stack and which side you want the wand control. Once you choose the side you want the wand, centre the headrail under the brackets and snap into position.

Attach wand to plastic clip at the end of the blind.



Attach

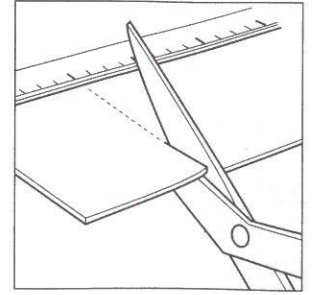
## INSTALLATION INSTRUCTIONS CONTINUED:

### 5 Trim Fabric *if required*

As stated earlier, if you installed the headrail lower than the original height, you now need to trim the length of the fabric. Otherwise, skip to Step 6.

To determine the correct length, measure from the top of the headrail to the floor and subtract 80mm from that measurement to allow for headrail height and clearance of the floor.

Lay fabric flat across table, ensure fabric is straight. Use a level to measure and mark fabric with pencil. Cut along the bottom edge with sharp scissors.



### 6 Preparing the fabric for installation

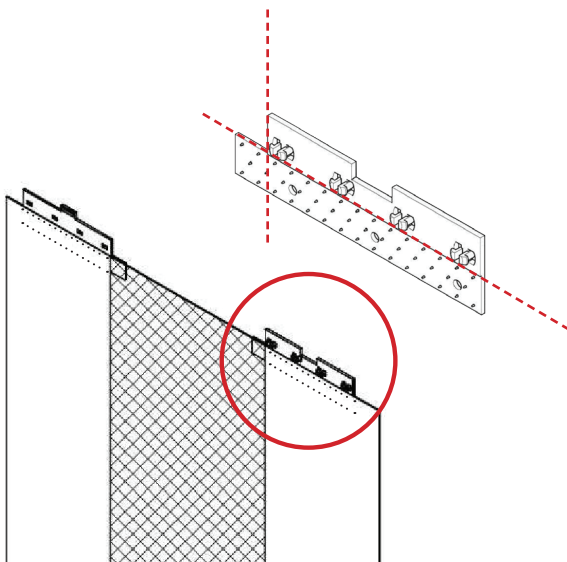
a. Remove fabric 'Roll 1' from box. Unroll fabric on flat surface without altering the order of folds. Each section will contain pre-assembled folds in already determined hanging positions.

#### NOTE:

You will see strings attached to the pre-assembled folds holding the fabric in place and in order. Cut strings and dispose of properly.

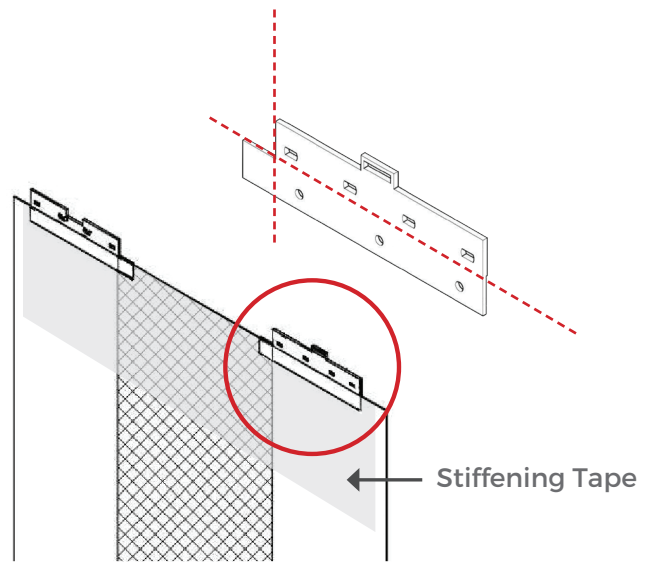
b. Check all hangers are aligned and secured to the fabric (see diagrams):

*Align lines on clips up to inside and top edges of solid part of fabric as shown by dotted lines.*



#### Face Side of Fabric

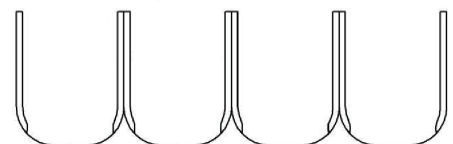
*Top edge of Face Side of fabric - clips on back*



#### Back Side of Fabric

*Back Side of fabric - clips on the side, over stiffening tape*

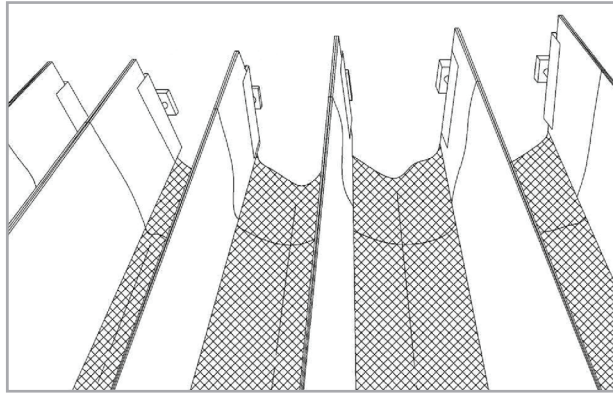
c. Take first piece of fabric, fold loosely to form a pleat with the stiffening tape on inside and lay beside remaining fabric.



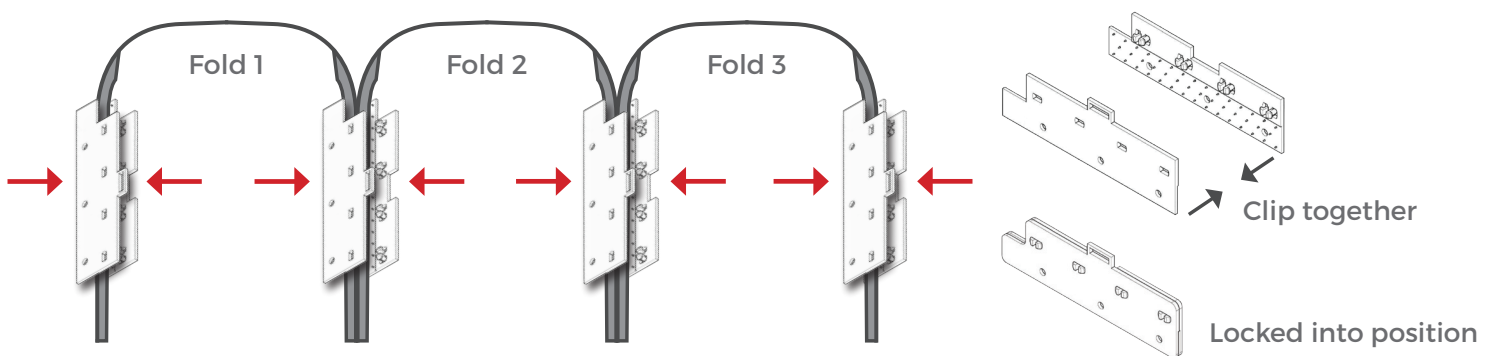
Top View

## INSTALLATION INSTRUCTIONS CONTINUED:

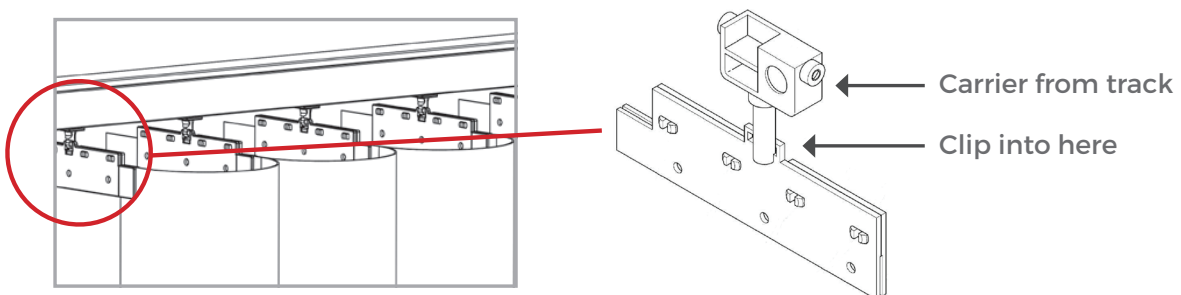
- d.** Take second piece of fabric, fold loosely to form a pleat and lay on top of previous piece. Making sure the new fold has the face of the fabric against the face of the fabric on the previous fold.



- e.** Secure fabric folds together by slightly bending and rocking the hangers to ensure the teeth lock into position. Repeat this step until all folds are secure.



- f.** Clip assembled hangers into track carriers starting from the left shown below, ensuring the sheer section is facing towards the front.



Repeat this process (Step 6) with remaining rolls from box, connecting fabric onto remaining clips and into track.

- g.** Check folds for any misalignment and unclip and adjust fabric on hangers if necessary.



For further information, please see our installation videos at:

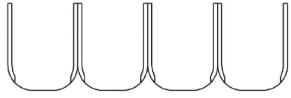
[www.verishades.com](http://www.verishades.com)

or simply scan the QR code

# OPERATING INSTRUCTIONS

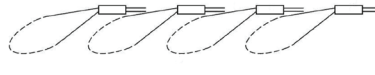
## To Tilt fabric:

Rotate the wand until fabric folds are in desired position. If fabric becomes misaligned, simply turn the fabric stems in place by hand,



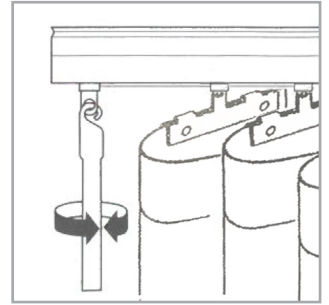
Top View

Fabric folds in 'opened' position



Top View

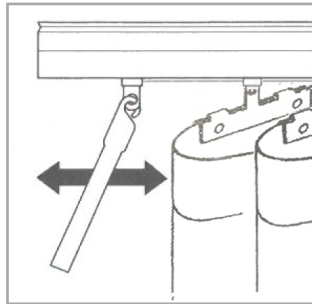
Fabric folds in 'closed' position



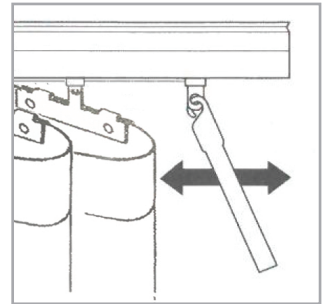
## To Open and Close blind:

Use the wand to traverse the fabric to the desired position.

Left hand wand -  
fabric will stack  
to the *Right*



Right hand wand -  
fabric will stack  
to the *Left*



# CARE AND MAINTENANCE

The surface of Veri Shades® fabric and tracks will collect a layer of dust over time. Veri Shades® fabric can be lightly hand washed and dried and can also be ironed with a cool iron or steamed to remove creases.

Veri Shades® tracks can be cleaned with a feather duster, or a slightly damp microfibre cloth to ensure the components are also dust free.

At least twice a year (or more in high risk environments), silicone spray should be used to lubricate all the track gears. Before spraying the tracks, remember to slide your Veri Shades® fabric over to one side or cover to avoid any overspray.

If spraying insecticides or any harmful chemicals, the Veri Shades® fabric must be moved aside. These chemicals must not come in contact with the blinds.

### CAUTION:

Never use harsh cloths, harsh abrasives, chlorine or ammonia based chemicals or cleaners on any Veri Shades® surface as they may affect the appearance, longevity and warranty of the product.

### **WARNING:**

Young children have died by wrapping loose curtain and blind cords or chains around their necks. Secure cords or chains with cord guides or keep them out of reach by winding them around a cleat. Move cots and furniture away from window covering cords or chains.

2010 212 8.1

## Vertical Headrail Cutting Steps *if required:*

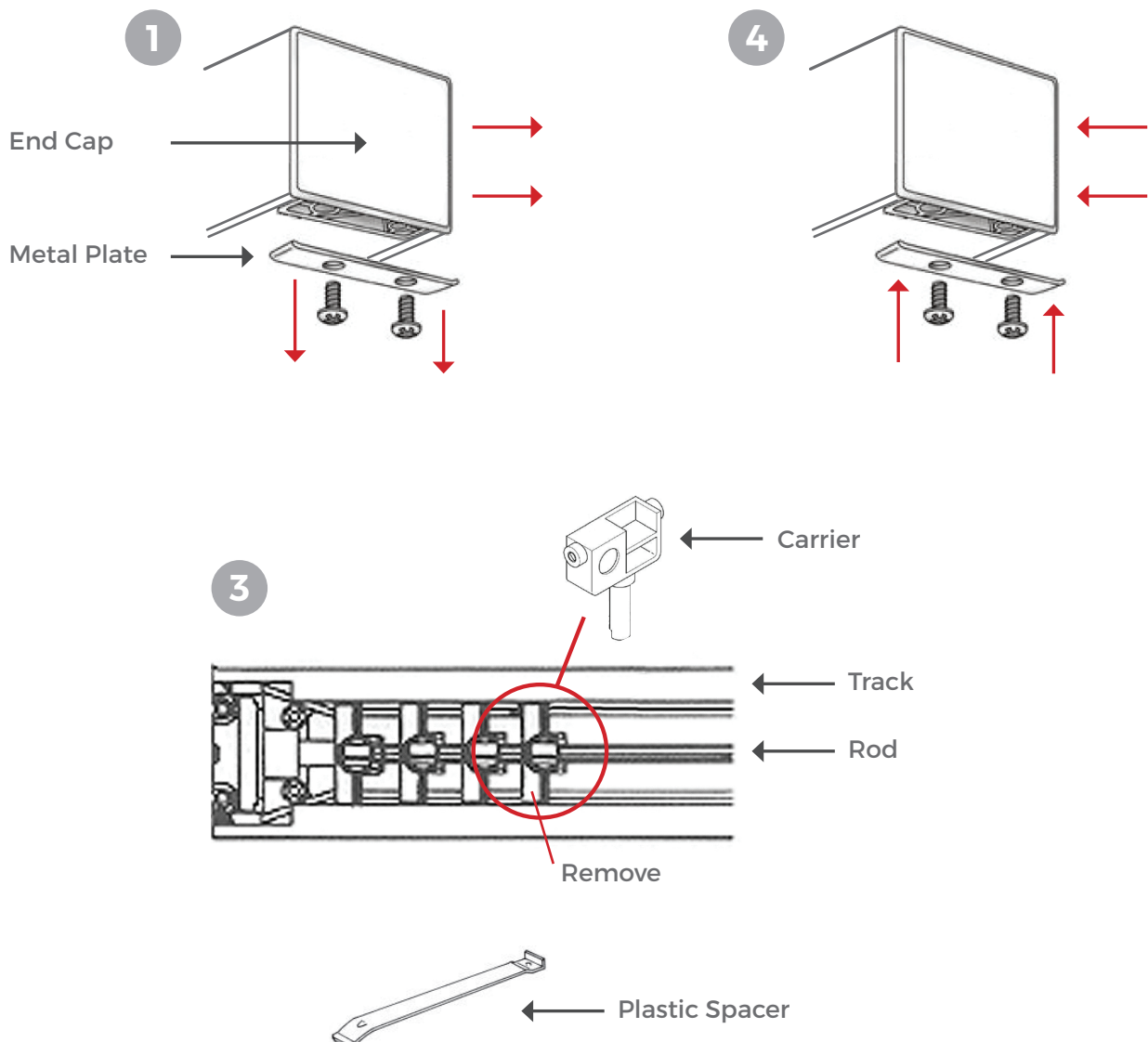
**Step 1.** Remove metal plate with screw driver and remove end cap.

**Step 2.** Mark the length you want to remove and cut the track and rod.

**Step 3.** For every 110mm you take off the track, remove and cut off one carrier.

*Example: 400mm remove (3) carriers, cut the plastic spacer and remove.*

**Step 4.** Re-attach the end cap and metal plate.



Veri  
READY™



Veri  
SHADES®

*The Clever Curtain*

[www.verishades.com](http://www.verishades.com)